



ABA clamps are produced in factories certified to ISO 14001. The products can be reused many times thanks to the high and constant quality continuously surveyed in our ISO 9000:2000 as well as ISO TS 16949.

Being a part of Engineered Joining Technology leader NORMA Group, the ABA brand enjoys the benefits of access to a large group working with multiple brands and for subsidiaries worldwide.

ABA NOVA

The new generation clamps

NORMA Group

Postfach 1149 · D-63461 Maintal
Edisonstrasse 4 · D-63477 Maintal

Tel +49 6181 403-0
Fax +49 6181 403-210

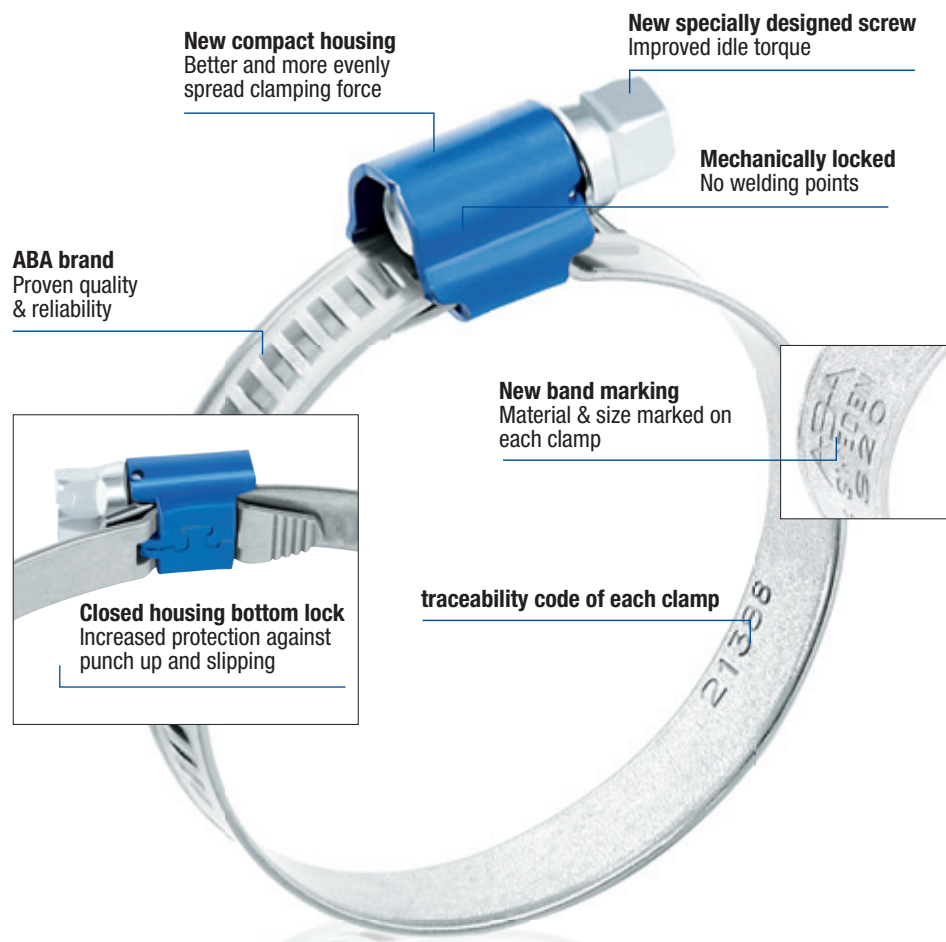
info@normagroup.com
www.normagroup.com

ABA® is a registered trademark of NORMA Group

This folder supersedes all previous issues. No part of this publication may be reproduced without our prior written consent. In NORMA Group's policy of continual product improvements to meet user needs and technological developments, all models and sets listed in this folder (photographs, specifications, sizes and weights) may be upgraded or discontinued without notice and without any obligation on our part to modify tools or equipment sold previously. The recommendations for use and safety given in this folder do not replace accepted good practice or the safety-related legal and regulatory provisions. References to standards implemented at 01/02/2012 are not contractually binding.



A reliable connection for maximum safety



New Generation ABA NOVA clamps incorporate a newly designed housing positioned to more evenly distribute a high clamping force and give safer guidance of the emerging band. The short housing saddle also provides optimal contact pressure on the hose.

New Generation ABA NOVA clamps have been extensively tested and easily surpass the test torques of DIN 3017. They also comply with SS 2298, providing an excellent combination of idle tightening torque and clamping force torque.

The New Generation design results in a clamping force reserve that resists breaks for a safe seal connection. In addition, smooth undersides and rolled-up band edges are gentle on the hose and reduce risk of leakage as well.

With ABA NOVA clamps you will always enjoy:

- First-class products produced in plants certified to TS 16949:2000. The best steel qualities enable stable production processes and provide a high and even product quality.
- Products produced in plants certified to ISO 14001 and made entirely with recyclable materials.
- Continuous improvement to always exceed the high demand of SS 2298 standard. This assures you of products with a high break torque combined with a high clamping force around the hose.

TECHNICAL FACTS:

- Comply with SS 2298
- Exceed DIN 3017 Standard
- High clamping force
- High break torque
- Less idle torque
- Traceability Code

ABA Safeseal Technology™



8-sector relaxation test

8-sector relaxation test

Force: Newton.
Time: 1 min.
Time step: 6 sec.
Tightening torque: 3.5 Nm

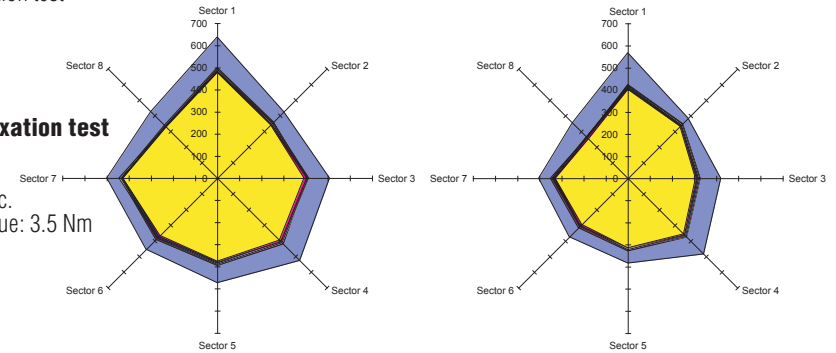


Fig. 1. Higher remaining clamping force thanks to the new housing design.

Fig. 2. Clamping force diagram of ABA NOVA with 'old' housing design.

ABA Nova S20, Stainless S40 (W4) and Acid Resistant S50 (W5)

The highly versatile ABA Nova clamp is an ideal choice for smaller dimensions of hoses. The base of the housing is cut back and the internal tolerances are very close: a few hundredths of a millimetre. Available for a wide range of hose dimensions, it retains its roundness and sealing qualities even on the smallest of hoses.

ABA Nova Standard-S20(W1): Screw: Electro zinc plated. Band: 8-12 to 40 mm Galvan. Housing: Painted.

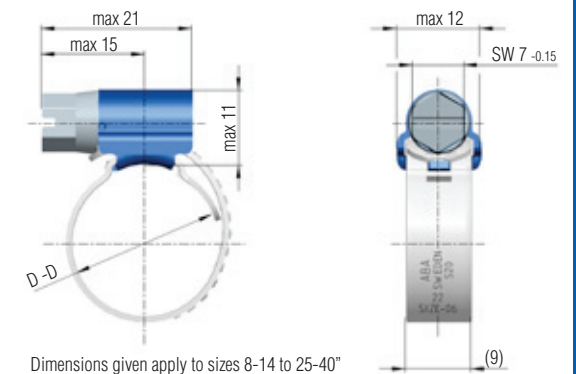
ABA Nova Standard-S20(W1): Screw: Electro zinc plated. Band: 32-44 to 85 mm Aluzink. Housing: Painted.

ABA Nova Stainless-S40(W4): All parts are made of SS 2333/AISI 304 stainless steel.

ABA Nova Acid Resistant-S50(W5): All parts are made of SS 2343/AISI 316 stainless steel.

Nova W1 S20 (SS 2298)	
Designation	Rec. tightening torque Nm
8-14	2.5-3.5
11-17	2.5-3.5
13-20	3-4
15-24	3-4
19-28	3-4
22-32	3-4
26-38	4-4.5
32-44*	4-4.5
38-50*	4-4.5
44-56*	4-4.5
50-65*	4-4.5
58-75*	4-4.5
68-85*	4-4.5

Nova W1 S20	
Designation	Rec. tightening torque Nm
8-12	2.5-3.5
10-16	2.5-3.5
12-22	3-4
16-25	3-4
16-27	3-4
20-32	3-4
25-40	4-4.5
30-45*	4-4.5
32-50*	4-4.5
40-60*	4-4.5
50-70*	4-4.5
60-80*	4-4.5



Dimensions given apply to sizes 8-14 to 25-40"

Nova W5 S50 (SS 2298)	
Designation	Rec. tightening torque Nm
8-14	2.5-3.5
11-17	2.5-3.5
13-20	2.5-3.5

Nova W4 S40 (SS 2298)	
Designation	Rec. tightening torque Nm
8-14	2.5-3.5
11-17	2.5-3.5
13-20	3-4
15-24	3-4
19-28	3-4
22-32	3-4
26-38	4-4.5

*New Nova available from 1 August 2009